

High speed door

ASSA ABLOY HS9020GAT

ASSA ABLOY

ASSA ABLOY Entrance Systems

The global leader in
door opening solutions



Airtight high speed door for cleanroom applications

The ASSA ABLOY HS9020GAT is airtight and suitable for inside environments, type cleanrooms. The main features of the ASSA ABLOY HS9020GAT are:

- Medium-sized, max. 4000 x 4000 mm
- Airtight / Cleanroom applications
- Inside usage
- Galvanised steel construction, option Stainless steel 304
- Gravity drive system
- Opening speed up to 1,2 m/s (Option: 2,0 m/s)

The ASSA ABLOY HS9020GAT offers a perfect sealing thanks to a unique design. It requires very little space and protects your environment against drafts, humidity, dust and dirt.

Exceptional reliability and smooth operation is ensured by a motor driven by a frequency inverter. This technology ensures a soft start and stop.

The robust steel, IP54 classified, control box is easy to operate and to program. The mechanical main switch and emergency stop make it foolproof. The clear display gives a wide range of information like a cycle counter that is easy to read.

Break-away - and Automatic Repair system

ASSA ABLOY high speed doors are equipped with a break-away - and automatic repair system. The curtain reintroduces itself after a crash to reduce downtime and maintenance.

Completely safe

Features that make our doors completely safe.

- The soft bottom edge has no rigid parts, it moulds around any obstruction to prevent injury or damage.
- When an object hits the door, the fabric curtain absorbs the impact and releases itself from its side guides without causing damage or being damaged itself.

Windows and vision panels

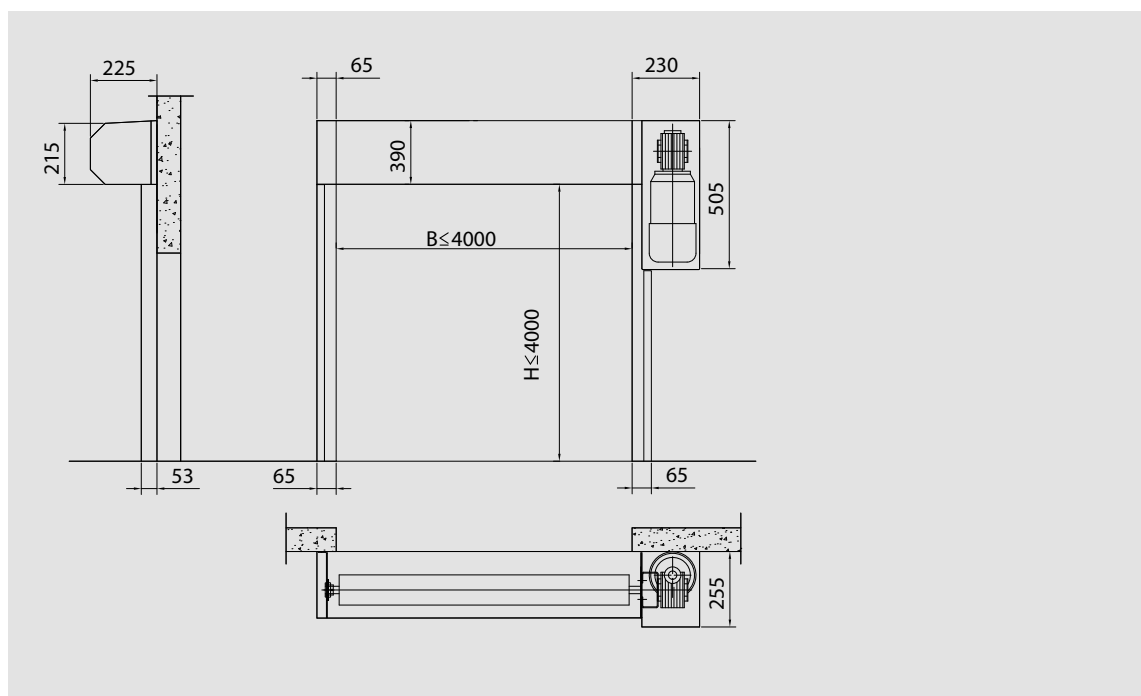
To increase the admission of daylight and visibility, the door curtain can be equipped with windows or vision panels. Windows have fixed sizes and are located on a pre-defined grid. A vision panel is always located on the full width of the door curtain.

Technical Data

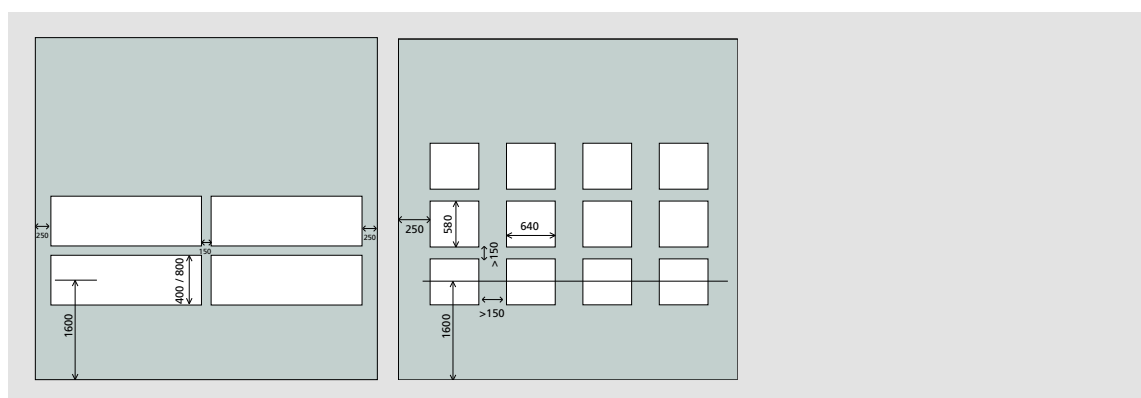
Min size (W x H)	1000 x 2000 mm
Max size (W x H) ¹⁾	4000 x 4000 mm
Operating speed	opening: up to 1,2 m/s ² closing: 0,5 m/s
Wind load resistance, EN 12424	class 1 (300 N/m ²) maximum wind load while closing 50 N/m ²
Water penetration, EN 12425	class 2 (50 N/m ²)
Air permeability, EN 12426	class 3, overpressure ³ class 1, underpressure
Thermal transmittance	6,02 W/ (m ² K)
Lifetime expectations	1.000.000 cycles

1) Other sizes available on request 2) Depending on door size 3) $\leq 3500 \times 3500$, installed on the outside of the cleanroom

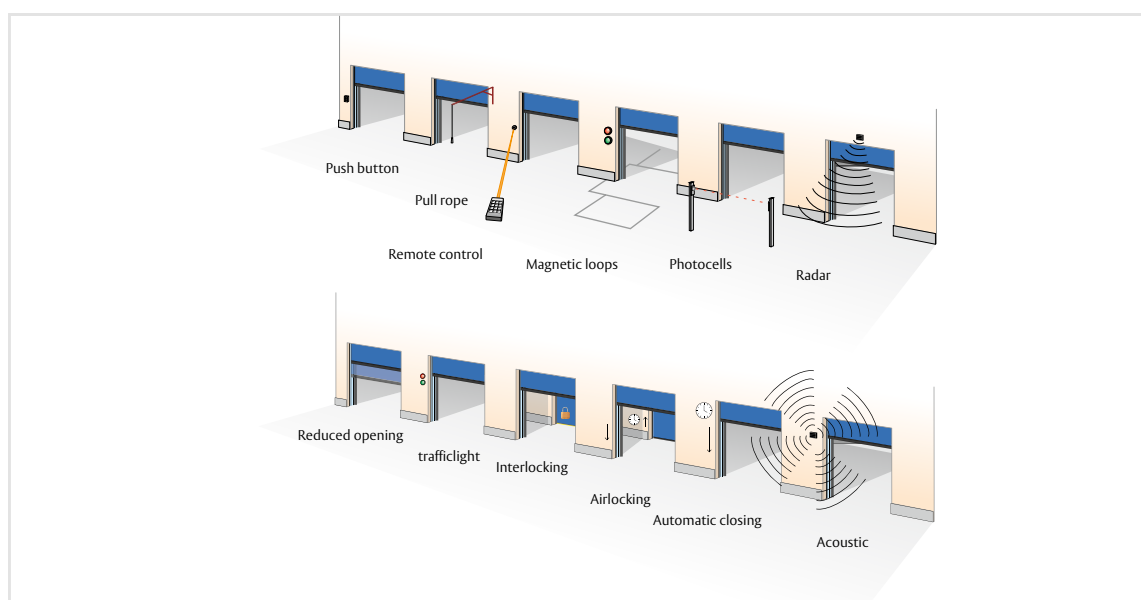
Dimensional specifications



Windows and Vision panels



Options access and automation



Standard available colours

