

STATE WHEN ORDERING

FW = mm
 FH = mm
 COW = mm
 COH = mm
 CL = mm

Surface treatment

Silver anodized
 Special anodized
 RAL
 Special powder coating

Glass option see drw. 1009030

Glass code:

Limitation

If 10 mm glass FW x FH = max. 5,9 m²
 If 12 mm glass FW x FH = max. 5,4 m²

Installation

Floor heating
 Other

Customer:

Ref:

Door id:

Date:

Project No:

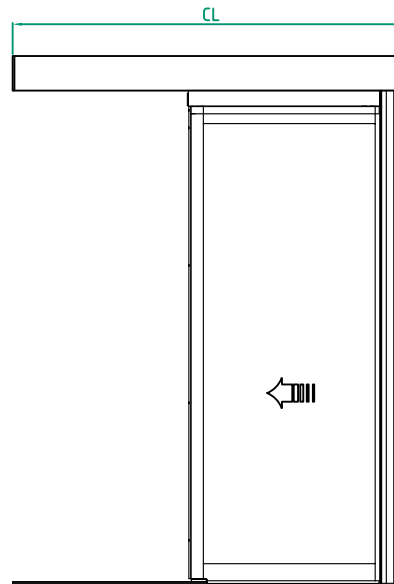
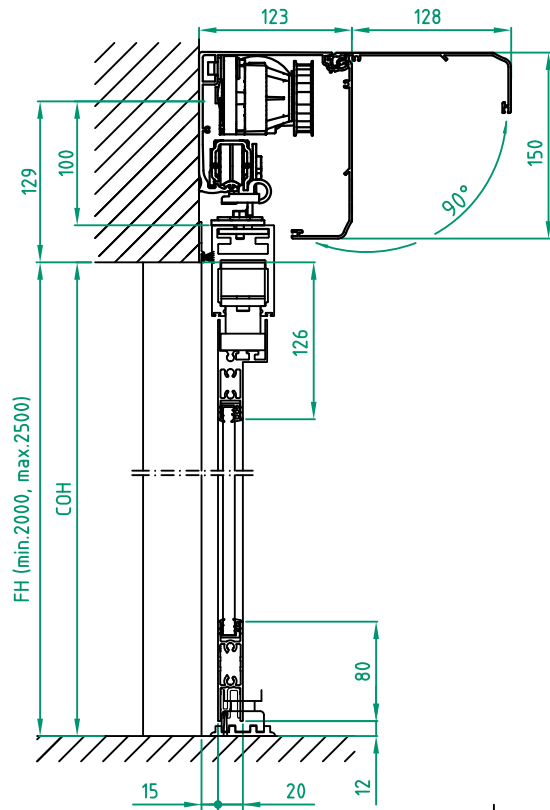
Sign:

Automatic door system
 ASSA ABLOY Slim reverse break-out 2 Panel wall mounted bipart
 Art. No. 1009390-15
 ASSA ABLOY SL500

ASSA ABLOY

6.0

1009390-EI



STATE WHEN ORDERING

FW = mm
 FH = mm
 COW = mm
 COH = mm
 CL = mm

Surface treatment

Silver anodized
 Special anodized
 RAL
 Special powder coating

Glass option see drw. 1009030

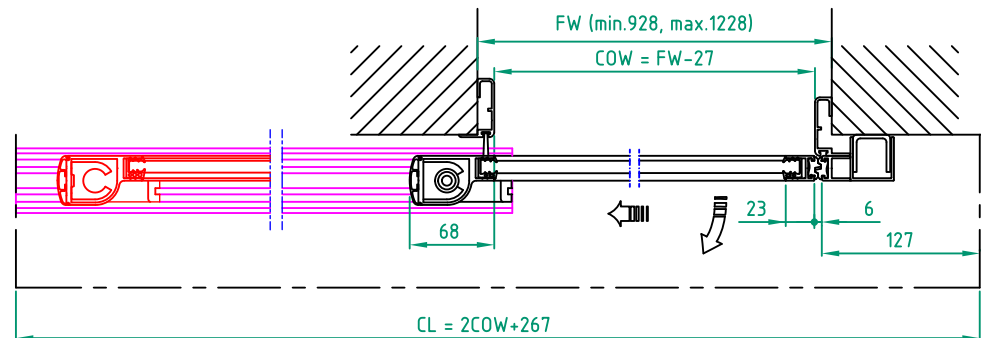
Glass code:

Limitation

If 10 mm glass FW x FH = max. 3,0 m²
 If 12 mm glass FW x FH = max. 2,7 m²

Installation

Floor heating
 Other

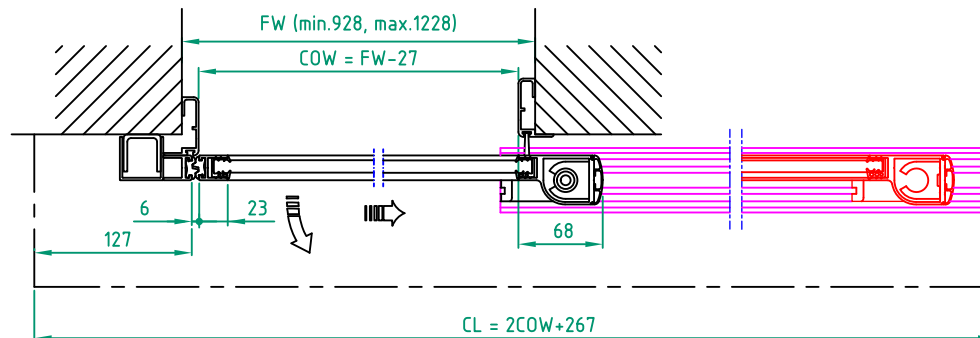
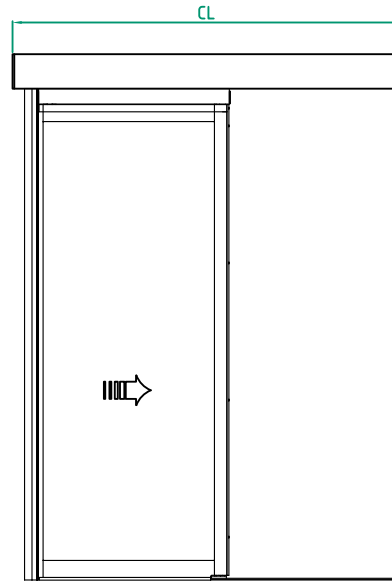
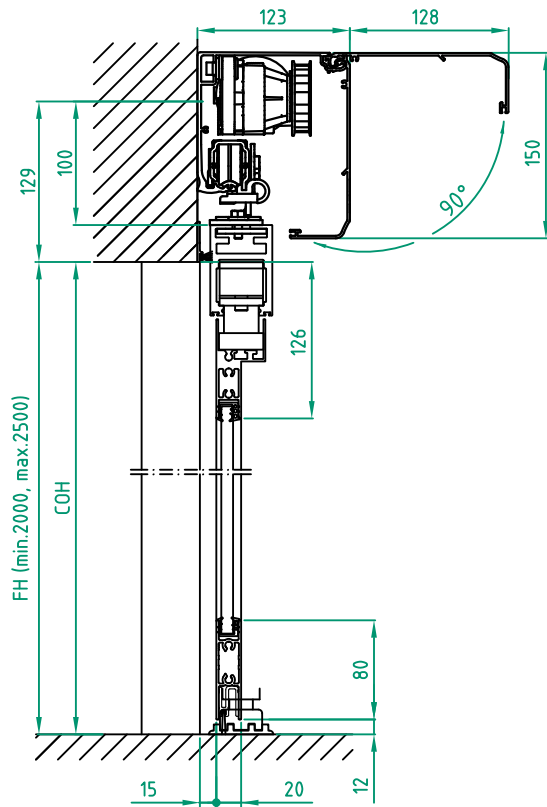


Customer: _____
 Door id: _____
 Project No: _____

Ref: _____
 Date: _____
 Sign: _____

Automatic door system
 ASSA ABLOY Slim reverse break-out
 1 Panel wall mounted opening left, Art. No. 1009390-15
 ASSA ABLOY SL500

ASSA ABLOY
 6.0 1009390-EI



STATE WHEN ORDERING

FW = mm
 FH = mm
 COW = mm
 COH = mm
 CL = mm

Surface treatment
 Silver anodized
 Special anodized
 RAL
 Special powder coating

Glass option see drw. 1009030
 Glass code:

Limitation
 If 10 mm glass FW x FH = max. 3,0 m²
 If 12 mm glass FW x FH = max. 2,7 m²

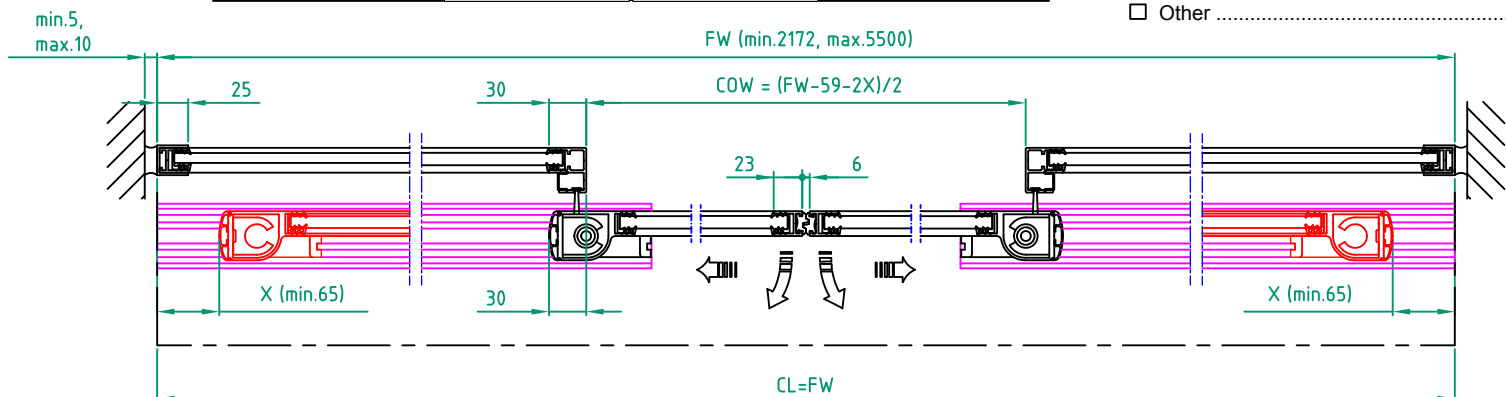
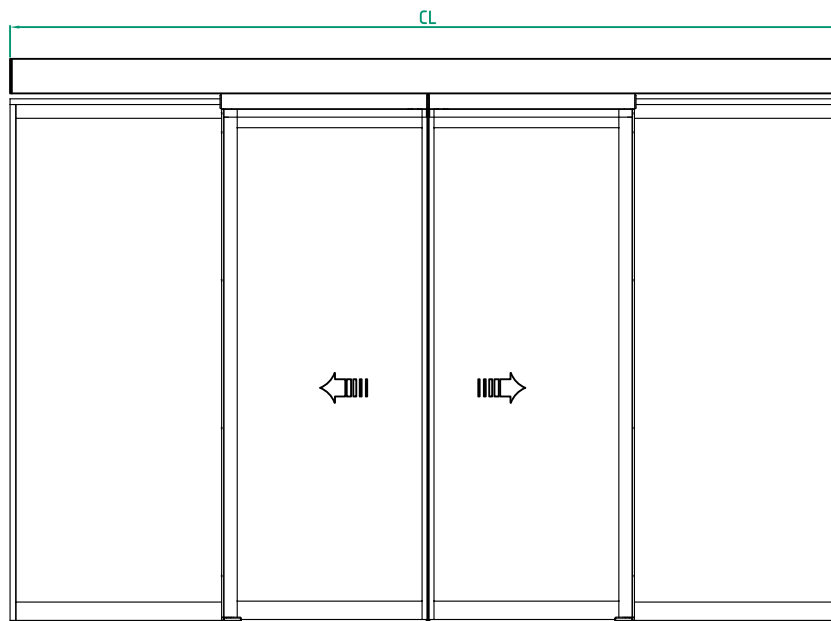
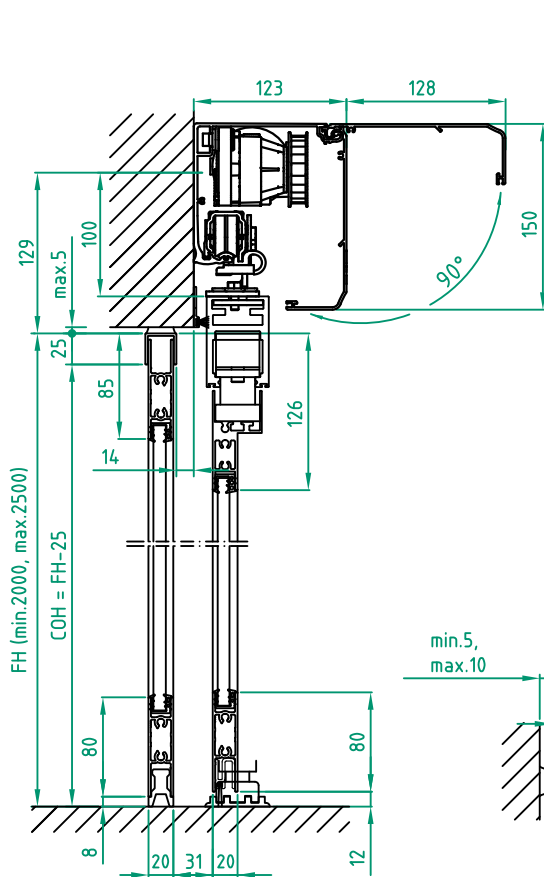
Installation
 Floor heating
 Other

Customer: _____
 Door id: _____
 Project No: _____

Ref: _____
 Date: _____
 Sign: _____

Automatic door system
 ASSA ABLOY Slim reverse break-out
 1 Panel wall mounted opening right, Art. No. 1009390-15
 ASSA ABLOY SL500

ASSA ABLOY
 6.0 1009390-EI



STATE WHEN ORDERING

FW = mm
 FH = mm
 X = mm
 COW = mm
 COH = mm
 CL = mm

Surface treatment

Silver anodized
 Special anodized
 RAL
 Special powder coating

Glass option see drw. 1009030

Glass code:

Limitation

If 10 mm glass FW x FH = max. 12,5 m²
 If 12 mm glass FW x FH = max. 11,5 m²

Installation

Floor heating
 Other

Customer:

Ref:

Door id:

Date:

Project No:

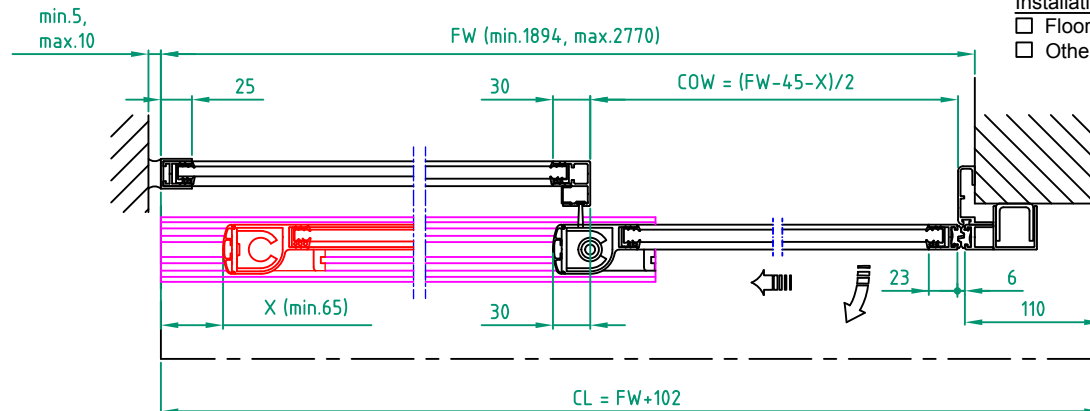
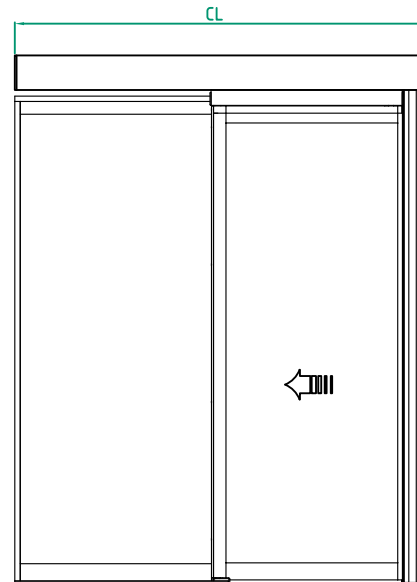
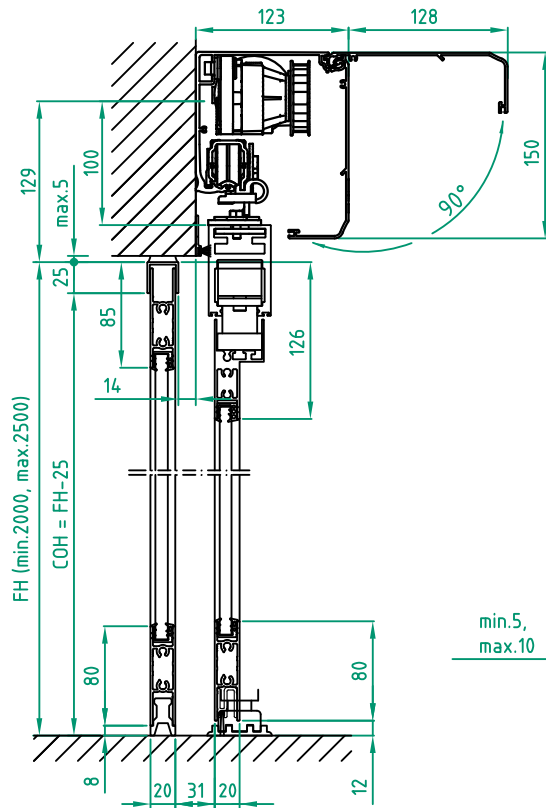
Sign:

Automatic door system
 ASSA ABLOY Slim reverse break-out 4 Panel wall mounted
 Art. No. 1009390-15
 ASSA ABLOY SL500

ASSA ABLOY

6.0

1009390-EI



STATE WHEN ORDERING

FW = mm
 FH = mm
 X = mm
 COW = mm
 COH = mm
 CL = mm

Surface treatment

Silver anodized
 Special anodized
 RAL
 Special powder coating

Glass option see drw. 1009030

Glass code:

Limitation

If 10 mm glass FW x FH = max. 6,3 m²
 If 12 mm glass FW x FH = max. 5,8 m²

Installation

Floor heating
 Other

Customer:

Ref:

Door id:

Date:

Project No:

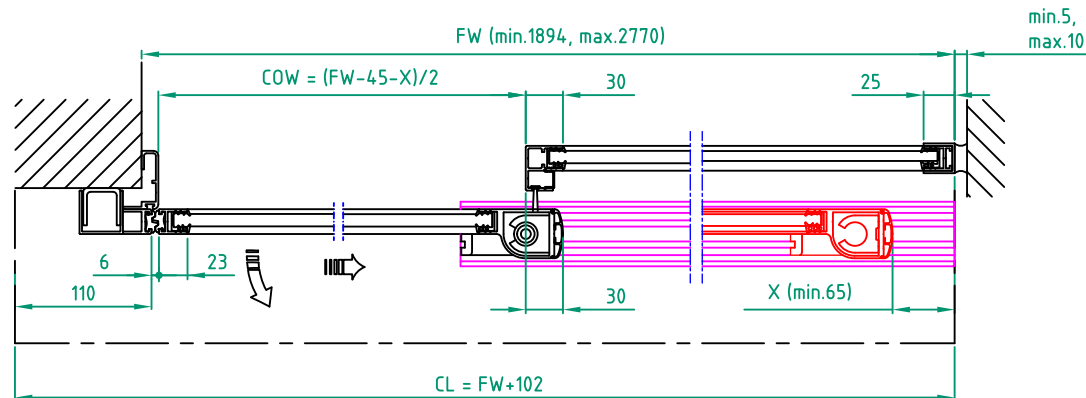
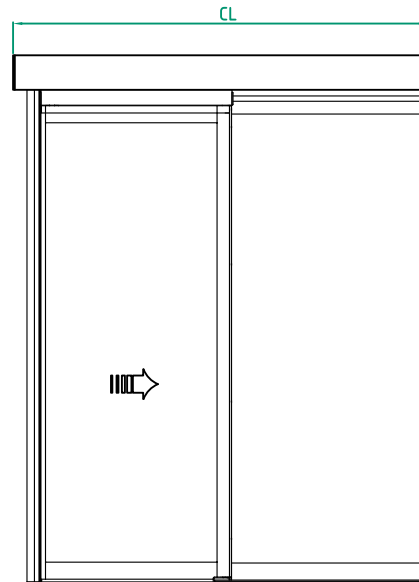
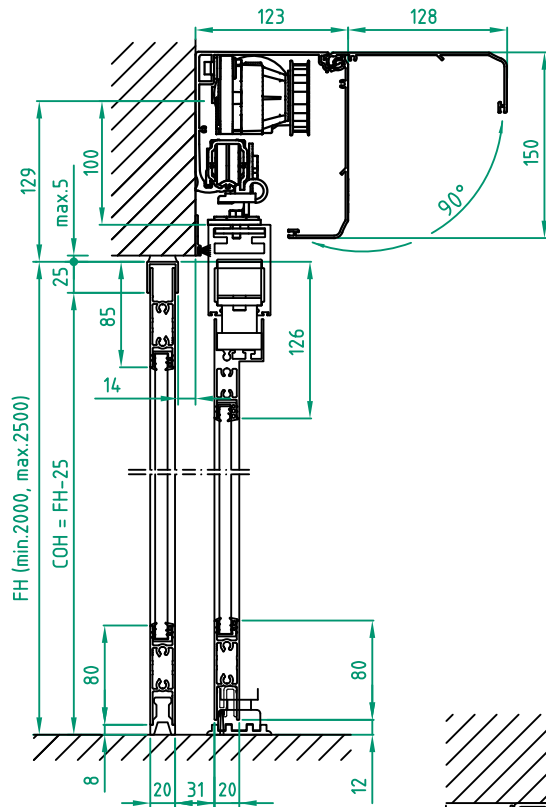
Sign:

Automatic door system
 ASSA ABLOY Slim reverse break-out
 2 Panel wall mounted opening left, Art. No. 1009390-15
 ASSA ABLOY SL500

ASSA ABLOY

6.0

1009390-EI



STATE WHEN ORDERING

FW = mm
 FH = mm
 X = mm
 COW = mm
 COH = mm
 CL = mm

Surface treatment

Silver anodized
 Special anodized
 RAL
 Special powder coating

Glass option see draw. 1009030

Glass code:

Limitation

If 10 mm glass FW x FH = max. 6,3 m²
 If 12 mm glass FW x FH = max. 5,8 m²

Installation

Floor heating
 Other

Customer: _____
 Door id: _____
 Project No: _____

Ref: _____
 Date: _____
 Sign: _____

Automatic door system
 ASSA ABLOY Slim reverse break-out
 2 Panel wall mounted opening right, Art. No. 1009390-15
 ASSA ABLOY SL500

ASSA ABLOY
 6.0 1009390-EI