

STATE WHEN ORDERING

FW = ..... mm  
 FH = ..... mm  
 COW = ..... mm  
 COH = ..... mm  
 CL = ..... mm

Surface treatment

Silver anodized  
 Special anodized .....  
 RAL .....  
 Special powder coating .....  
 .....

Options see layers:

Alternative F (concrete/brick)  
 Alternative U (aluminium/steel)

Glass option see drw. 1009030

Glass code:  
 .....

Installation

Floor heating  
 Other .....

Customer: .....

Ref: .....

Door id: .....

Date: .....

Project No: .....

Sign: .....

Automatic door system  
 ASSA ABLOY Slim Eco LDE 2 Panel wall mounted bipart  
 Art. No. 1009393-2PB-15  
 ASSA ABLOY SL500

**ASSA ABLOY**

5.0

1009393-EI

STATE WHEN ORDERING

FW = ..... mm  
 FH = ..... mm  
 X = ..... mm  
 COW = ..... mm  
 COH = ..... mm  
 CL = ..... mm

Surface treatment

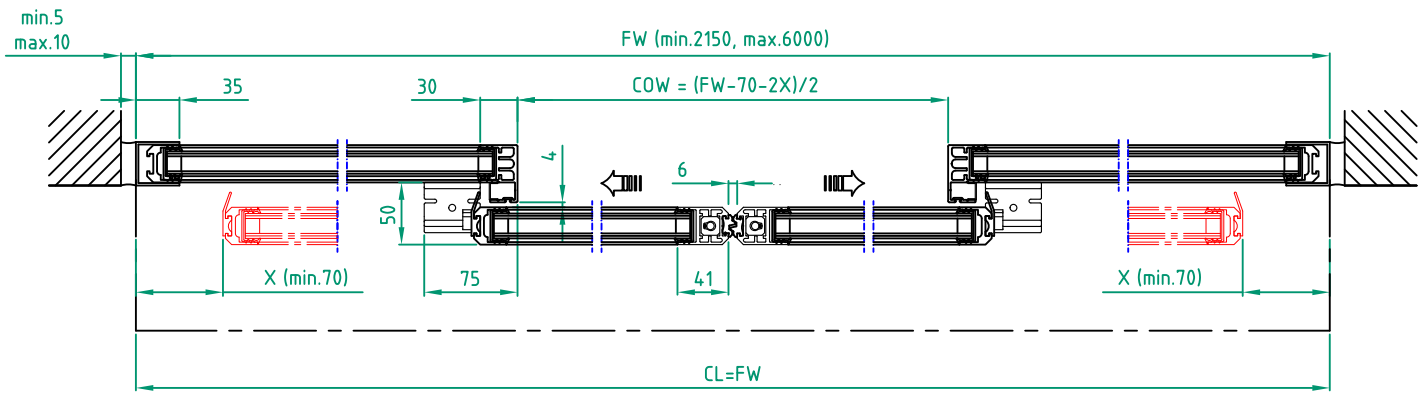
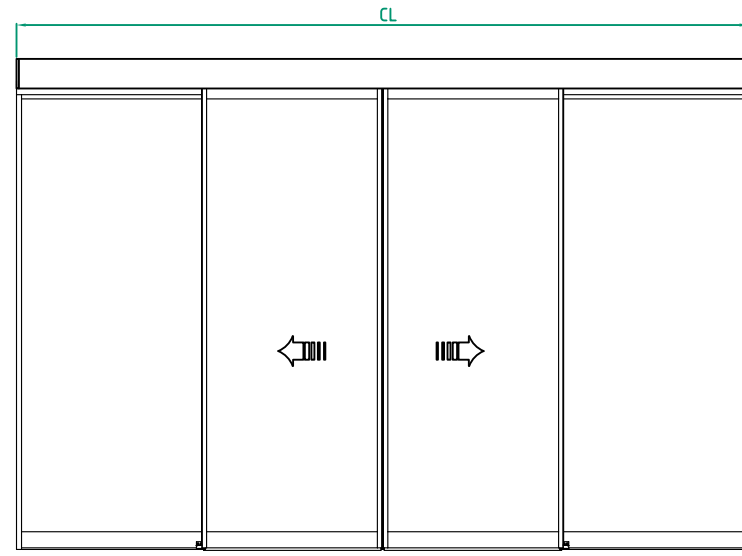
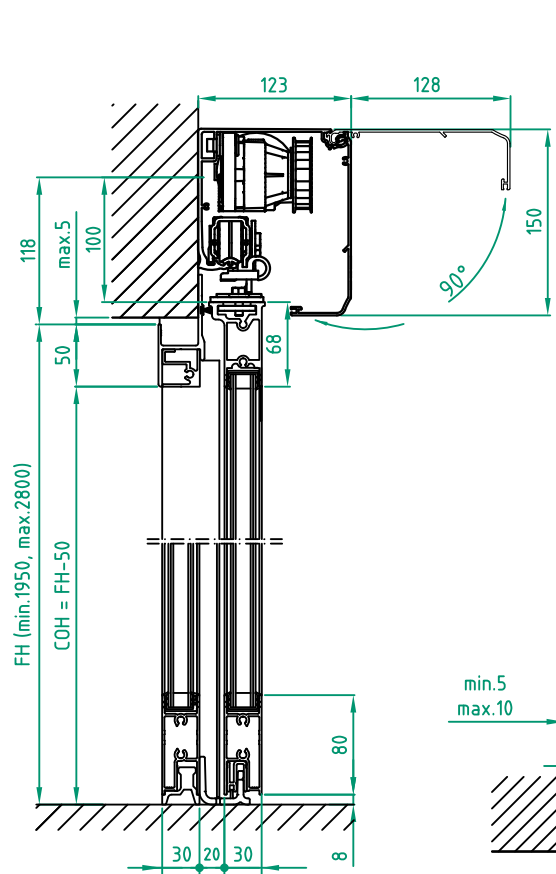
Silver anodized  
 Special anodized .....  
 RAL .....  
 Special powder coating .....

Glass option see drw. 1009030

Glass code:  
 .....

Installation

Floor heating  
 Other .....



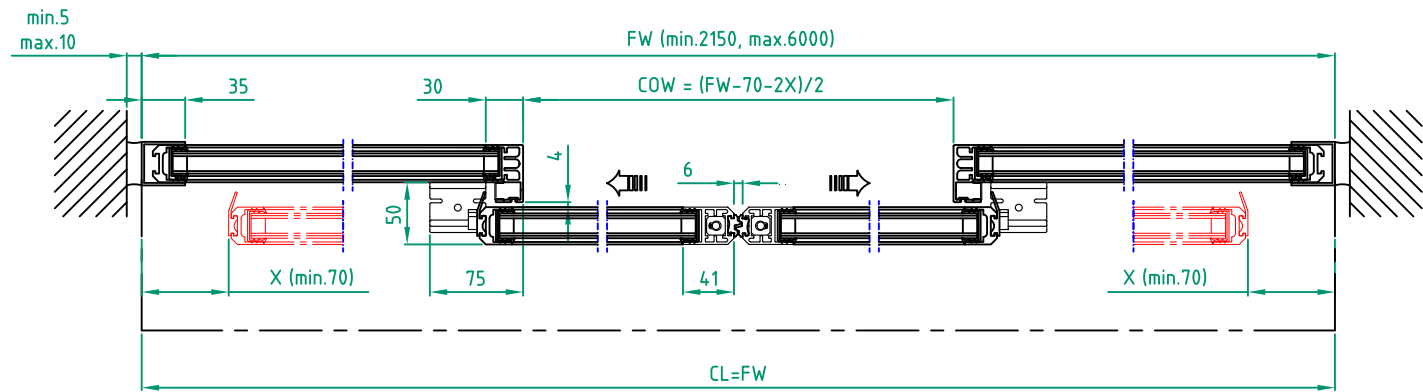
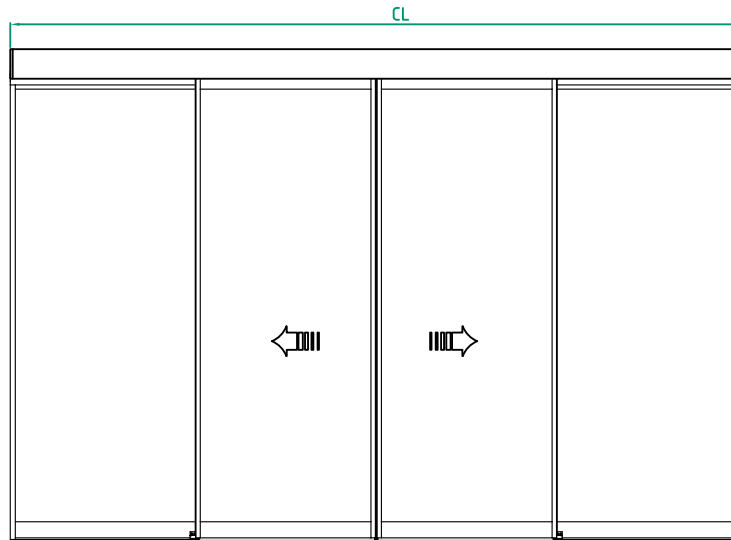
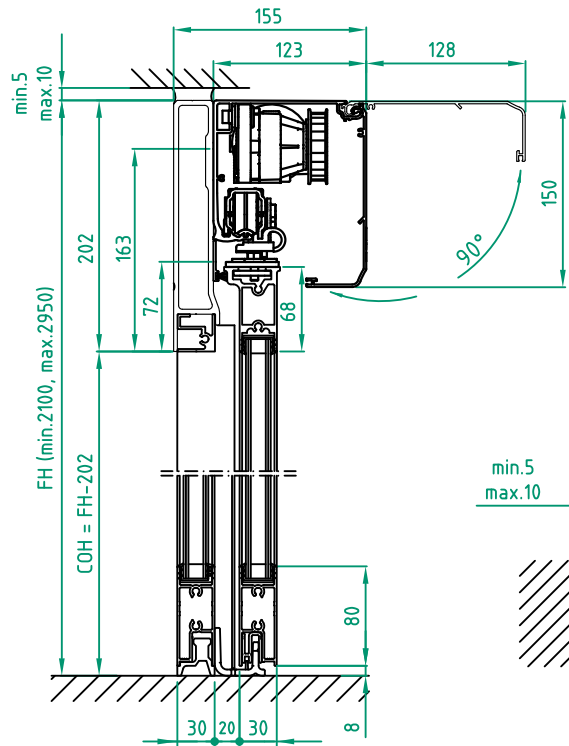
©ASSA ABLOY Entrance Systems AB, 2017  
 Technical data subject to change without notice.

Customer: \_\_\_\_\_  
 Door id: \_\_\_\_\_  
 Project No: \_\_\_\_\_

Ref: \_\_\_\_\_  
 Date: \_\_\_\_\_  
 Sign: \_\_\_\_\_

Automatic door system  
 ASSA ABLOY Slim Eco LDE 4 Panel wall mounted  
 Art. No. 1009393-4PB-15  
 ASSA ABLOY SL500

**ASSA ABLOY**  
 5.0 1009393-EI



STATE WHEN ORDERING

- FW = ..... mm
- FH = ..... mm
- X = ..... mm
- COW = ..... mm
- COH = ..... mm
- CL = ..... mm

Surface treatment

- Silver anodized
- Special anodized .....
- RAL .....
- Special powder coating .....

Glass option see drw. 1009030

Glass code: .....

Installation

- Floor heating
- Other .....

Customer: \_\_\_\_\_

Door id: \_\_\_\_\_

Project No: \_\_\_\_\_

Ref: \_\_\_\_\_

Date: \_\_\_\_\_

Sign: \_\_\_\_\_

Automatic door system  
 ASSA ABLOY Slim Eco LDE 4 Panel beam mounted  
 Art. No. 1009393-4PB-15  
 ASSA ABLOY SL500

**ASSA ABLOY**

5.0 1009393-EI