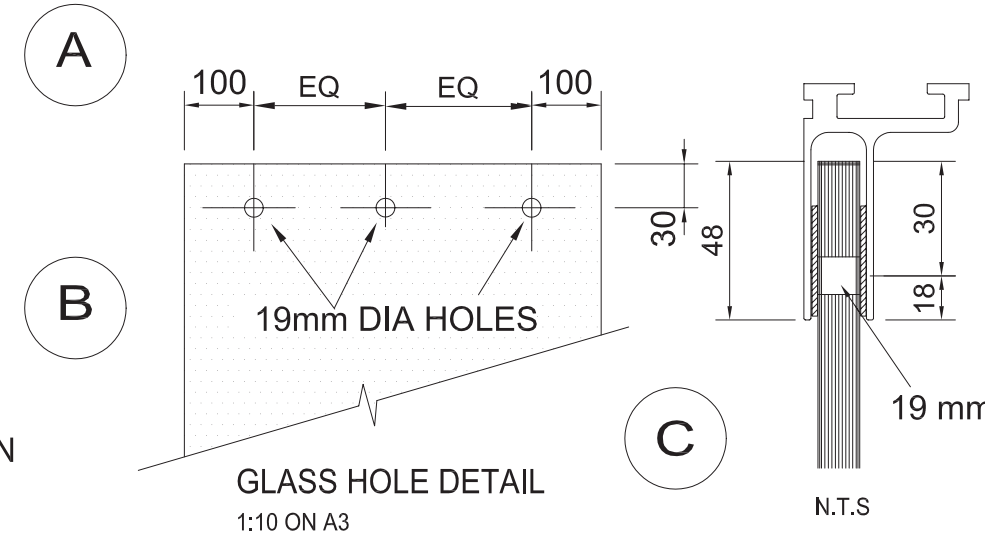


TYPICAL ELEVATION
1:20 ON A3

PLASTIC NYLON FLOOR GUIDE
OTHER GUIDES AVAILABLE
UPON REQUEST

VERTICAL SECTION
1:2 ON A3



GLASS HOLE DETAIL
1:10 ON A3

DOOR HEIGHT = UNDERSIDE OF CHANNEL TO FINISHED FLOOR LEVEL + 40 mm
DOOR LEAF WIDTH = $\frac{\text{CLEAR OPENING} + 80 \text{ mm}}{2}$

13/08/03

Sliding door operator
UniSlide-2
Wall beam mounted
Frameless sidelight and door

besam 

A Uni-4A-03